

Part No.	Power consumption	Holding power	Holding power	Switch-on power
	DC	AC 50 Hz	AC 60 Hz	AC 50 Hz
R432006439	2.7 W	-	-	-
R432006441	2.7 W	-	-	-
R432006448	-	3.7 VA	3.7 VA	6.4 VA
R432006435	-	3.7 VA	3.7 VA	6.4 VA
R432006437	-	3.7 VA	3.7 VA	6.4 VA
R432002474	-	-	-	-
R432002477	-	-	-	-

Part No.	Switch-on power	Pilot	Control pressure min./max.	With valve plug connector
	AC 60 Hz			
R432006439	-	Internal	29 ... 149 psi	Without valve plug connector
R432006441	-	Internal	29 ... 149 psi	Without valve plug connector
R432006448	6.4 VA	Internal	29 ... 149 psi	Without valve plug connector
R432006435	6.4 VA	Internal	29 ... 149 psi	Without valve plug connector
R432006437	6.4 VA	Internal	29 ... 149 psi	Without valve plug connector
R432002474	-	External	-13 ... 149 psi	Without valve plug connector
R432002477	-	Internal	29 ... 149 psi	Without valve plug connector

Part No.	basic valve with electrical connector	Weight
R432006439	-	2.69 lbs
R432006441	-	2.69 lbs
R432006448	-	2.69 lbs
R432006435	-	2.69 lbs
R432006437	-	2.69 lbs
R432002474	Basic valve without coil	2.47 lbs
R432002477	Basic valve without coil	2.47 lbs

Nominal flow Qn at 87 psi and $\Delta p = 14.5$ psi

MO = Manual override

Technical information

The min. control pressure must be adhered to, since otherwise faulty switching and valve failure may result!

The pressure dew point must be at least 27 °F under ambient and medium temperature and may not exceed 5.4 °F .

The oil content of compressed air must remain constant during the life cycle.

Use only the approved oils from AVENTICS. Further information can be found in the "Technical information" document (available in the MediaCentre).

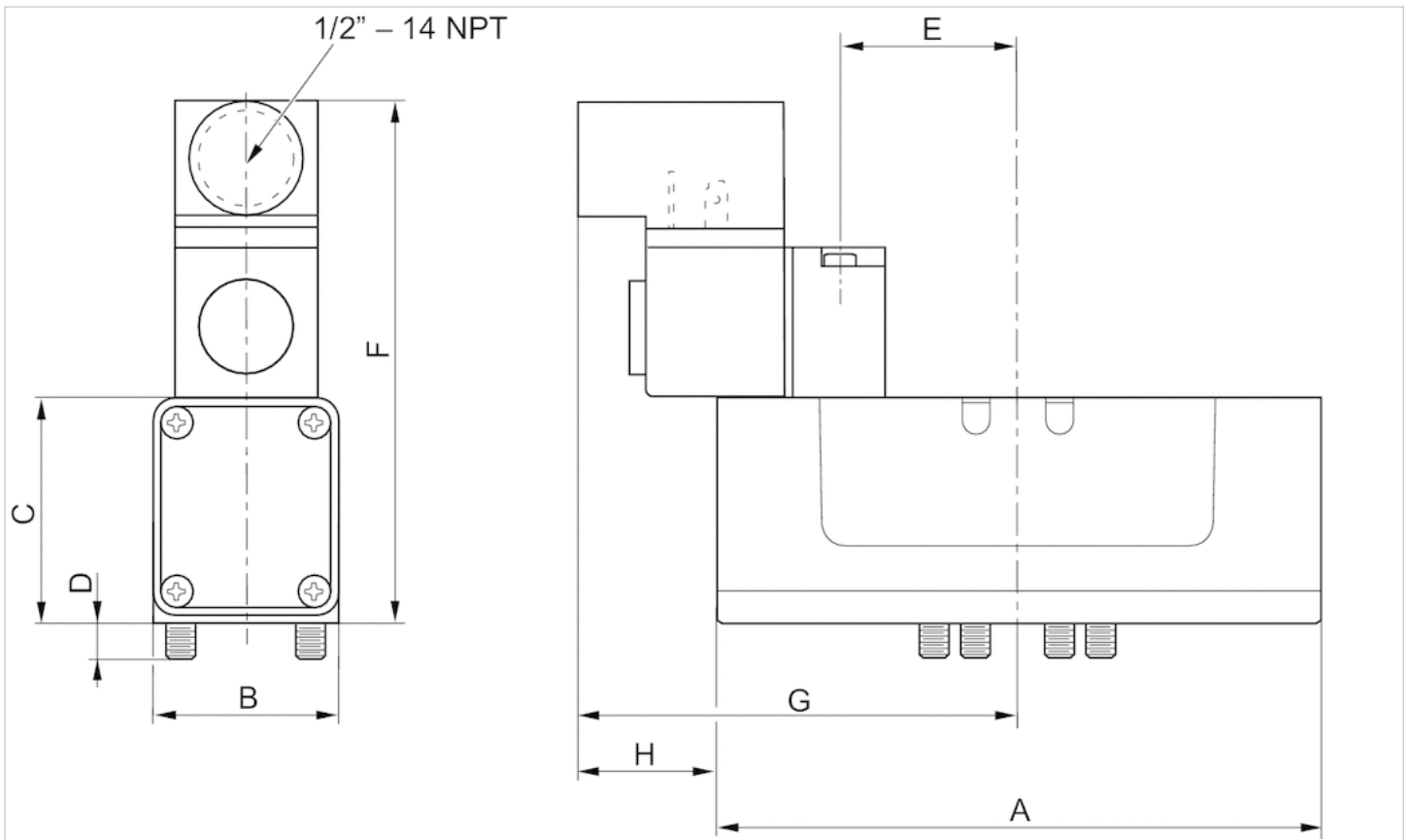
Technical information

Material

Housing	Die cast zinc, painted gray, Die-cast aluminum, painted gray
---------	--------------------------------------------------------------

Dimensions

Dimensions in inches



Dimensions in inches

Part No.	A	B	C	D	E	F	G	H
R432006439	5.12	1.57	1.89	0.31	1.52	4.53	3.48	1.20
R432006441	5.12	1.57	1.89	0.31	1.52	4.53	3.48	1.20
R432006448	5.12	1.57	1.89	0.31	1.52	4.53	3.48	1.20
R432006435	5.12	1.57	1.89	0.31	1.52	4.53	3.48	1.20
R432006437	5.12	1.57	1.89	0.31	1.52	4.53	3.48	1.20
R432002474	5.12	1.57	1.89	0.31	1.52	4.53	3.48	1.20
R432002477	5.12	1.57	1.89	0.31	1.52	4.53	3.48	1.20

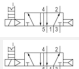



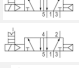
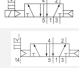
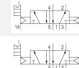
5/2-directional valve, Series CERAM™, size 1

- 5/2
- $Q_n = 1.12 \text{ Cv}$
- Pilot valve width : 30 mm CNOMO
- Plate connection
- Electrical connection : Plug, EN 175301-803, form A
- Can be assembled into blocks
- Manual override : with detent, without detent
- single solenoid
- with air spring return
- Pilot : Internal, External



Activation	Electrically
Sealing principle	Ceramic
Blocking principle	Single base plate principle
Standards	ISO 5599-1, ISO 1
Working pressure min./max.	0 ... 149 psi
Control pressure min./max.	See table below
Ambient temperature min./max.	5 ... 150 °F
Medium temperature min./max.	5 ... 150 °F
Medium	Compressed air
Nominal flow Q_n	1.12 Cv
Compressed air connection	according to ISO 5599-1
Protection class,with connection	IP65
Protection class according to NEMA	NEMA 4
mounting screws	M5 with hexagon socket
Mounting screw tightening torque	1.62 ft./lbs.
Weight	See table below

Technical data

Part No.		MO	Operational voltage	
			DC	AC 50 Hz
R432006440		T-R-T-R-T-R-T-R-T-R-T-R	12 V	-
R432006442			24 V	-
R432006449			-	24 V
R432006436			-	110 V
R432006438			-	220 V
R432002475			-	-
R432002478			-	-

Part No.	Operational voltage	Voltage tolerance		
		DC	AC 50 Hz	AC 60 Hz
R432006440	-	-10% / +10%	-	-
R432006442	-	-10% / +10%	-	-
R432006449	24 V	-	-10% / +10%	-10% / +10%
R432006436	120 V	-	-10% / +10%	-10% / +10%
R432006438	240 V	-	-10% / +10%	-10% / +10%
R432002475	-	-	-	-
R432002478	-	-	-	-

Part No.	Power consumption		Holding power		Switch-on power
	DC	AC 60 Hz	AC 50 Hz	AC 60 Hz	AC 50 Hz
R432006440	2.7 W	-	-	-	-
R432006442	2.7 W	-	-	-	-
R432006449	-	-	3.7 VA	3.7 VA	6.4 VA
R432006436	-	-	3.7 VA	3.7 VA	6.4 VA
R432006438	-	-	3.7 VA	3.7 VA	6.4 VA
R432002475	-	-	-	-	-
R432002478	-	-	-	-	-

Part No.	Switch-on power		Pilot	Control pressure min./max.	With valve plug connector
	AC 60 Hz				
R432006440	-		Internal	29 ... 149 psi	Without valve plug connector
R432006442	-		Internal	29 ... 149 psi	Without valve plug connector
R432006449	6.4 VA		Internal	29 ... 149 psi	Without valve plug connector
R432006436	6.4 VA		Internal	29 ... 149 psi	Without valve plug connector
R432006438	6.4 VA		Internal	29 ... 149 psi	Without valve plug connector
R432002475	-		External	-13 ... 149 psi	Without valve plug connector
R432002478	-		Internal	29 ... 149 psi	Without valve plug connector

Part No.	basic valve with electrical connector	Weight
R432006440	-	2.45 lbs
R432006442	-	2.45 lbs
R432006449	-	2.45 lbs
R432006436	-	2.45 lbs
R432006438	-	2.45 lbs

Part No.	basic valve with electrical connector	Weight
R432002475	Basic valve without coil	2.47 lbs
R432002478	Basic valve without coil	2.56 lbs

Nominal flow Qn at 87 psi and Δp = 14.5 psi

MO = Manual override

Technical information

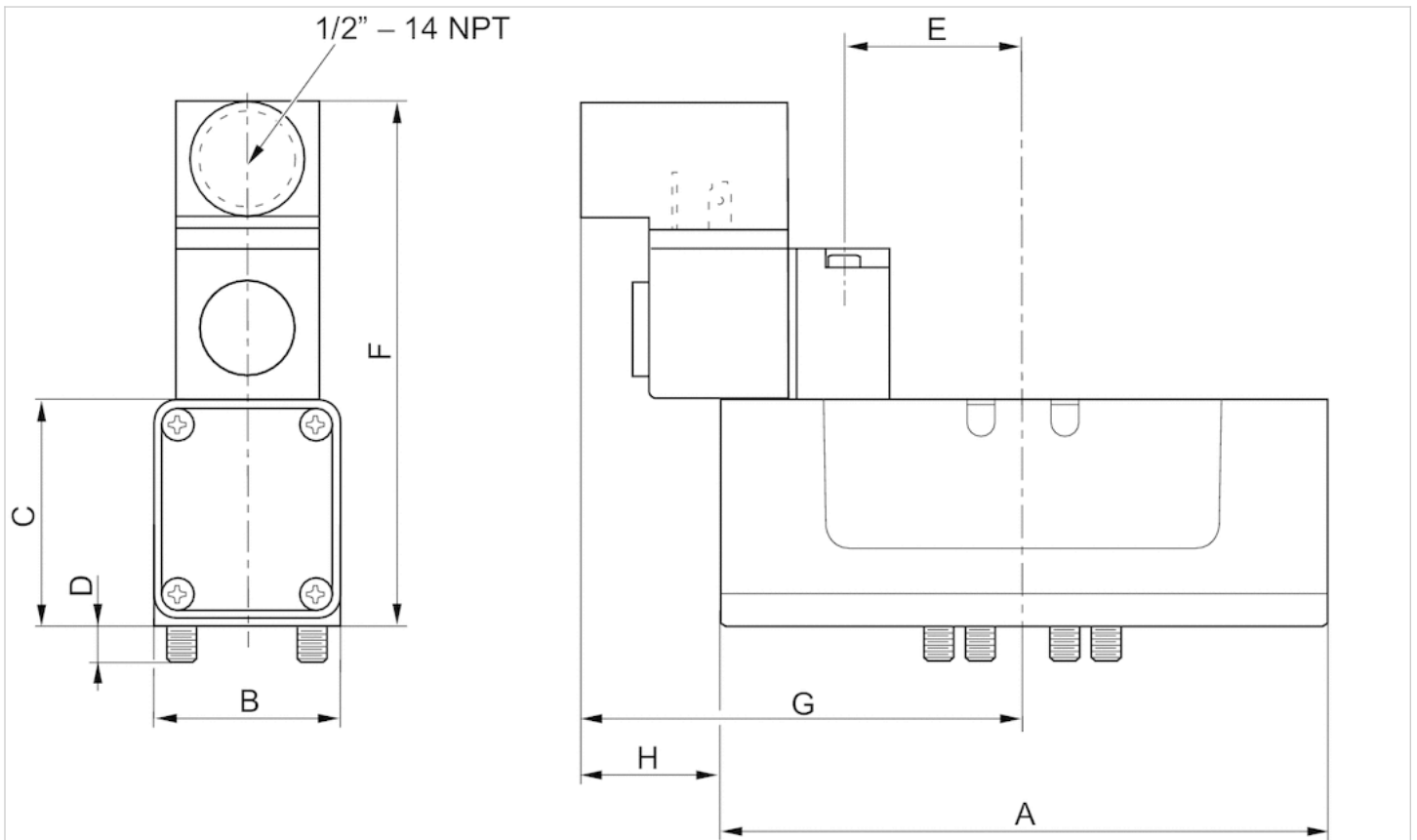
The min. control pressure must be adhered to, since otherwise faulty switching and valve failure may result!
 The pressure dew point must be at least 27 °F under ambient and medium temperature and may not exceed 5.4 °F .
 The oil content of compressed air must remain constant during the life cycle.
 Use only the approved oils from AVENTICS. Further information can be found in the "Technical information" document (available in the MediaCentre).

Technical information

Material	
Housing	Die cast zinc, painted gray, Die-cast aluminum, painted gray

Dimensions

Dimensions in inches



Dimensions in inches

Part No.	A	B	C	D	E	F	G	H
R432006440	5.12	1.57	1.89	0.31	1.52	4.53	3.48	1.20
R432006442	5.12	1.57	1.89	0.31	1.52	4.53	3.48	1.20
R432006449	5.12	1.57	1.89	0.31	1.52	4.53	3.48	1.20
R432006436	5.12	1.57	1.89	0.31	1.52	4.53	3.48	1.20
R432006438	5.12	1.57	1.89	0.31	1.52	4.53	3.48	1.20
-	-	-	-	-	-	-	-	-
R432002478	5.12	1.57	1.89	0.31	1.52	4.53	3.48	1.20

5/2-directional valve, Series CERAM™, size 1

- 5/2
- $Q_n = 1.12 \text{ Cv}$
- Pilot valve width : 30 mm CNOMO
- Plate connection
- Electrical connection : Plug, EN 175301-803, form A
- Can be assembled into blocks
- Manual override : with detent
- Double solenoid
- Pilot : External



Activation	Electrically
Sealing principle	Ceramic
Blocking principle	Single base plate principle
Standards	ISO 5599-1, ISO 1
Working pressure min./max.	29 ... 149 psi
Control pressure min./max.	See table below
Ambient temperature min./max.	5 ... 150 °F
Medium temperature min./max.	5 ... 150 °F
Medium	Compressed air
Nominal flow Q_n	1.12 Cv
Compressed air connection	according to ISO 5599-1
Protection class, with connection	IP65
Protection class according to NEMA	NEMA 4
Typ. switch-on time	40 ms
Typ. switch-off time	53 ms
mounting screws	M5 with hexagon socket
Mounting screw tightening torque	1.62 ft./lbs.
Weight	See table below

Part No.	basic valve with electrical connector	Weight
R432002476	Basic valve without coil	2.47 lbs
R432002479	Basic valve without coil	2.69 lbs

Nominal flow Qn at 87 psi and Δp = 14.5 psi

MO = Manual override

Technical information

The min. control pressure must be adhered to, since otherwise faulty switching and valve failure may result!

The pressure dew point must be at least 27 °F under ambient and medium temperature and may not exceed 5.4 °F .

The oil content of compressed air must remain constant during the life cycle.

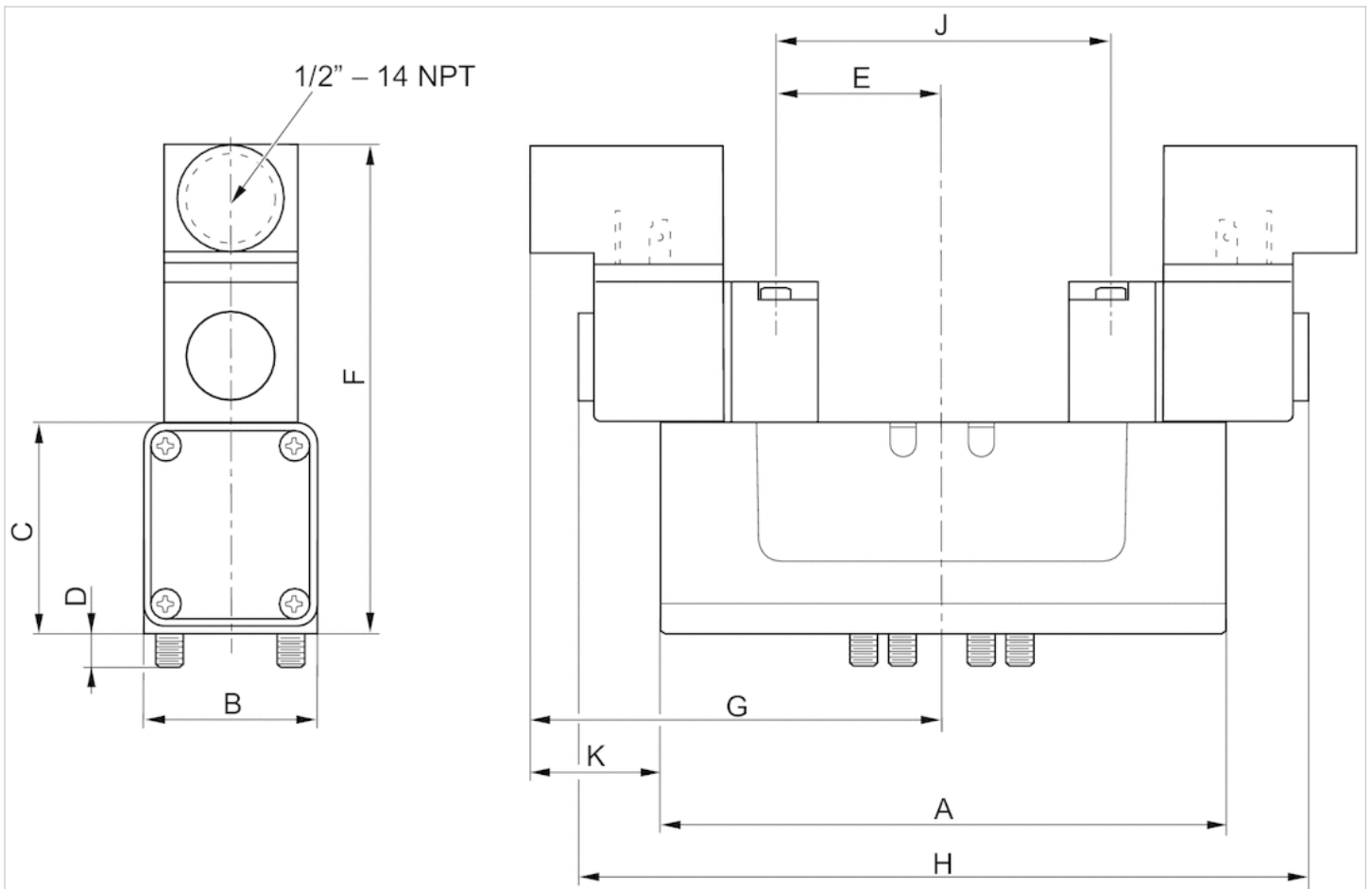
Use only the approved oils from AVENTICS. Further information can be found in the "Technical information" document (available in the MediaCentre).

Technical information

Material	
Housing	Die cast zinc, painted gray, Die-cast aluminum, painted gray
Seals	Acrylonitrile butadiene rubber

Dimensions

Dimensions in inches



Dimensions in inches

Part No.	A	B	C	D	E	F	G	H	J	K
R432006473	5.12	1.57	1.89	0.31	1.52	4.53	3.48	6.97	3.03	1.2
R432006474	5.12	1.57	1.89	0.31	1.52	4.53	3.48	6.97	3.03	1.2
R432006478	5.12	1.57	1.89	0.31	1.52	4.53	3.48	6.97	3.03	1.2
R432006471	5.12	1.57	1.89	0.31	1.52	4.53	3.48	6.97	3.03	1.2
R432006472	5.12	1.57	1.89	0.31	1.52	4.53	3.48	6.97	3.03	1.2
-	-	-	-	-	-	-	-	-	-	-
R432002479	5.12	1.57	1.89	0.31	1.52	4.53	3.48	6.97	3.03	1.2

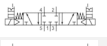
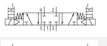
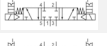
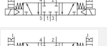
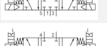

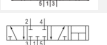

5/3-directional valve, Series CERAM™, size 1

- 5/3
- $Q_n = 1.12 \text{ Cv}$
- Pilot valve width : 30 mm CNOMO
- closed center
- Plate connection
- Electrical connection : Plug, EN 175301-803, form A
- Can be assembled into blocks
- Manual override : with detent, without detent
- Double solenoid
- Pilot : Internal, External



Activation	Electrically
Sealing principle	Ceramic
Blocking principle	Single base plate principle
Standards	ISO 5599-1, ISO 1
Working pressure min./max.	See table below
Control pressure min./max.	0 ... 149 psi
Ambient temperature min./max.	5 ... 150 °F
Medium temperature min./max.	5 ... 150 °F
Medium	Compressed air
Nominal flow Q_n	1.12 Cv
Compressed air connection	according to ISO 5599-1
Protection class,with connection	IP65
Protection class according to NEMA	NEMA 4
mounting screws	M5 with hexagon socket
Mounting screw tightening torque	1.62 ft./lbs.
Weight	See table below

Technical data

Part No.		MO	Operational voltage	
			DC	AC 50 Hz
R432006384		T-R-T-R-T-R-T-R-T-R-T-R-	12 V	-
R432006385			24 V	-
R432006388			-	24 V
R432006382			-	110 V
R432006383			-	220 V
R432002473			-	-
R432002471			-	-

Part No.	Operational voltage	Voltage tolerance		
		DC	AC 50 Hz	AC 60 Hz
R432006384	-	-10% / +10%	-	-
R432006385	-	-10% / +10%	-	-
R432006388	24 V	-	-10% / +10%	-10% / +10%
R432006382	120 V	-	-10% / +10%	-10% / +10%
R432006383	240 V	-	-10% / +10%	-10% / +10%
R432002473	-	-	-	-
R432002471	-	-	-	-

Part No.	Power consumption		Holding power		Switch-on power
	DC	AC 50 Hz	AC 50 Hz	AC 60 Hz	AC 50 Hz
R432006384	2.7 W	-	-	-	-
R432006385	2.7 W	-	-	-	-
R432006388	-	3.7 VA	3.7 VA	3.7 VA	6.4 VA
R432006382	-	3.7 VA	3.7 VA	3.7 VA	6.4 VA
R432006383	-	3.7 VA	3.7 VA	3.7 VA	6.4 VA
R432002473	-	-	-	-	-
R432002471	-	-	-	-	-

Part No.	Switch-on power	Pilot	Working pressure min./max.	With valve plug connector
	AC 60 Hz			
R432006384	-	Internal	44 ... 149 psi	Without valve plug connector
R432006385	-	Internal	44 ... 149 psi	Without valve plug connector
R432006388	6.4 VA	Internal	44 ... 149 psi	Without valve plug connector
R432006382	6.4 VA	Internal	44 ... 149 psi	Without valve plug connector
R432006383	6.4 VA	Internal	44 ... 149 psi	Without valve plug connector
R432002473	-	Internal	44 ... 149 psi	Without valve plug connector
R432002471	-	External	-11 ... 149 psi	Without valve plug connector

Part No.	basic valve with electrical connector	Weight
R432006384	-	3.2 lbs
R432006385	-	3.2 lbs
R432006388	-	3.2 lbs
R432006382	-	3.2 lbs
R432006383	-	3.2 lbs

Part No.	basic valve with electrical connector	Weight
R432002473	Basic valve without coil	2.84 lbs
R432002471	Basic valve without coil	2.47 lbs

Nominal flow Qn at 87 psi and Δp = 14.5 psi

MO = Manual override

Technical information

The min. control pressure must be adhered to, since otherwise faulty switching and valve failure may result!

The pressure dew point must be at least 27 °F under ambient and medium temperature and may not exceed 5.4 °F .

The oil content of compressed air must remain constant during the life cycle.

Use only the approved oils from AVENTICS. Further information can be found in the "Technical information" document (available in the MediaCentre).

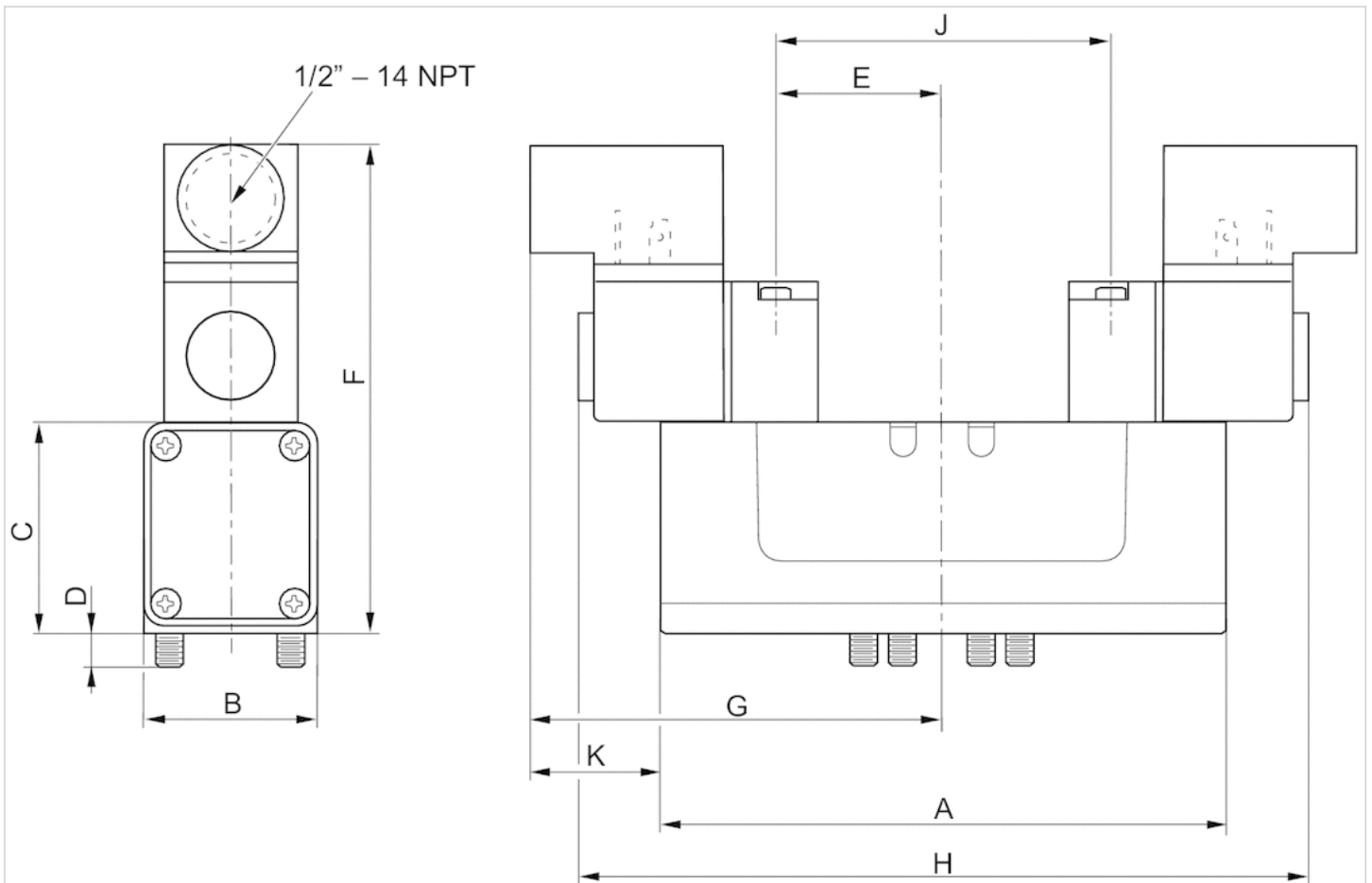
Technical information

Material

Housing	Die cast zinc, painted gray, Die-cast aluminum, painted gray
---------	--------------------------------------------------------------

Dimensions

Dimensions in inches



Dimensions in inches

Part No.	A	B	C	D	E	F	G	H	J	K
R432006384	5.12	1.57	1.89	0.31	1.52	4.53	3.48	6.97	3.03	1.2
R432006385	5.12	1.57	1.89	0.31	1.52	4.53	3.48	6.97	3.03	1.2
R432006388	5.12	1.57	1.89	0.31	1.52	4.53	3.48	6.97	3.03	1.2
R432006382	5.12	1.57	1.89	0.31	1.52	4.53	3.48	6.97	3.03	1.2
R432006383	5.12	1.57	1.89	0.31	1.52	4.53	3.48	6.97	3.03	1.2
R432002473	5.12	1.57	1.89	0.31	1.52	4.53	3.48	6.97	3.03	1.2
-	-	-	-	-	-	-	-	-	-	-

5/3-directional valve, Series CERAM™, size 1

- 5/3
- $Q_n = 1.12 \text{ Cv}$
- Pilot valve width : 30 mm
- exhausted center
- Plate connection
- Electrical connection : Plug, EN 175301-803, form A
- Can be assembled into blocks
- Manual override : with detent, without detent
- Double solenoid
- Pilot : Internal, External



Activation	Electrically
Sealing principle	Ceramic
Blocking principle	Single base plate principle
Standards	ISO 5599-1, ISO 1
Working pressure min./max.	See table below
Control pressure min./max.	See table below
Ambient temperature min./max.	5 ... 150 °F
Medium temperature min./max.	5 ... 150 °F
Medium	Compressed air
Nominal flow Q_n	1.12 Cv
Compressed air connection	according to ISO 5599-1
Protection class,with connection	IP65
Protection class according to NEMA	NEMA 4
mounting screws	M5 with hexagon socket
Mounting screw tightening torque	1.62 ft./lbs.
Weight	See table below

Technical data

Part No.		MO	Operational voltage	
			DC	AC 50 Hz
R432006367		T-R-T-R-T-R-T-R-T-R-T-R	12 V	-
R432006368			24 V	-
R432006371			-	24 V
R432006365			-	110 V
R432006366			-	220 V
R432002472			-	-
R432002470			-	-

Part No.	Operational voltage	Voltage tolerance		
		DC	AC 50 Hz	AC 60 Hz
	AC 60 Hz			
R432006367	-	-10% / +10%	-	-
R432006368	-	-10% / +10%	-	-
R432006371	24 V	-	-10% / +10%	-10% / +10%
R432006365	120 V	-	-10% / +10%	-10% / +10%
R432006366	240 V	-	-10% / +10%	-10% / +10%
R432002472	-	-	-	-
R432002470	-	-	-	-

Part No.	Power consumption		Holding power		Switch-on power
	DC	AC 60 Hz	AC 50 Hz	AC 60 Hz	AC 50 Hz
R432006367	2.7 W	-	-	-	-
R432006368	2.7 W	-	-	-	-
R432006371	-	-	3.7 VA	3.7 VA	6.4 VA
R432006365	-	-	3.7 VA	3.7 VA	6.4 VA
R432006366	-	-	3.7 VA	3.7 VA	6.4 VA
R432002472	-	-	-	-	-
R432002470	-	-	-	-	-

Part No.	Switch-on power		Pilot	Working pressure min./max.	Control pressure min./max.
	DC	AC 60 Hz			
R432006367	-	-	Internal	44 ... 149 psi	29 ... 149 psi
R432006368	-	-	Internal	44 ... 149 psi	29 ... 149 psi
R432006371	-	6.4 VA	Internal	44 ... 149 psi	29 ... 149 psi
R432006365	-	6.4 VA	Internal	44 ... 149 psi	29 ... 149 psi
R432006366	-	6.4 VA	Internal	44 ... 149 psi	29 ... 149 psi
R432002472	-	-	Internal	44 ... 149 psi	29 ... 149 psi
R432002470	-	-	External	-11 ... 149 psi	-13 ... 149 psi

Part No.	With valve plug connector	basic valve with electrical connector	Weight
R432006367	Without valve plug connector	-	3.27 lbs
R432006368	Without valve plug connector	-	3.27 lbs
R432006371	Without valve plug connector	-	3.27 lbs
R432006365	Without valve plug connector	-	3.27 lbs
R432006366	Without valve plug connector	-	3.27 lbs

Part No.	With valve plug connector	basic valve with electrical connector	Weight
R432002472	Without valve plug connector	Basic valve without coil	2.83 lbs
R432002470	Without valve plug connector	Basic valve without coil	2.47 lbs

Nominal flow Qn at 87 psi and Δp = 14.5 psi

MO = Manual override

Technical information

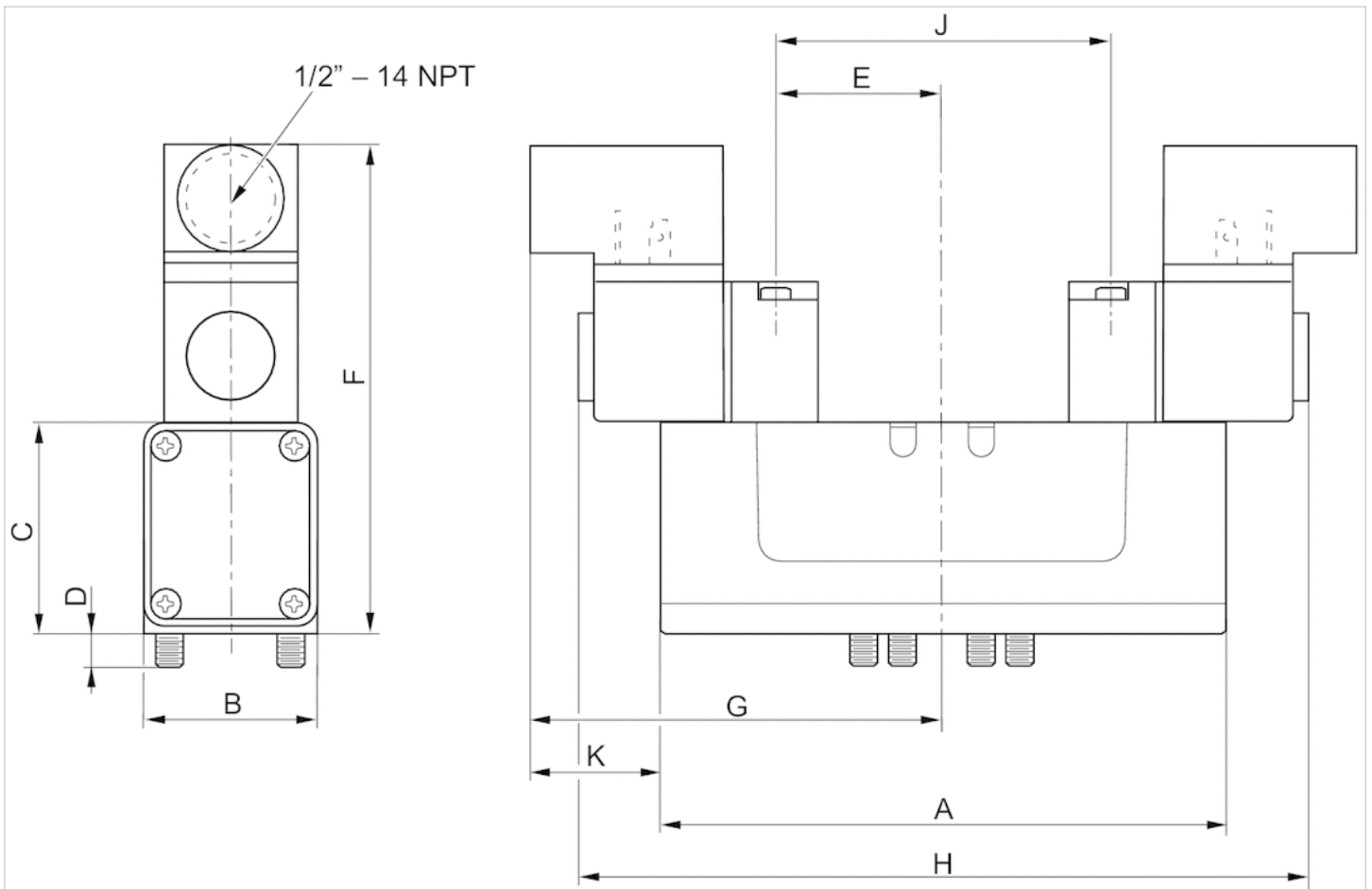
The min. control pressure must be adhered to, since otherwise faulty switching and valve failure may result!
 The pressure dew point must be at least 27 °F under ambient and medium temperature and may not exceed 5.4 °F .
 The oil content of compressed air must remain constant during the life cycle.
 Use only the approved oils from AVENTICS. Further information can be found in the "Technical information" document (available in the MediaCentre).

Technical information

Material	
Housing	Die cast zinc, painted gray, Die-cast aluminum, painted gray
Seals	Acrylonitrile butadiene rubber

Dimensions

Dimensions in inches



Dimensions in inches

Part No.	A	B	C	D	E	F	G	H	J	K
R432006367	5.12	1.57	1.89	0.31	1.52	4.52	3.48	6.97	3.03	1.2
R432006368	5.12	1.57	1.89	0.31	1.52	4.52	3.48	6.97	3.03	1.2
R432006371	5.12	1.57	1.89	0.31	1.52	4.52	3.48	6.97	3.03	1.2
R432006365	5.12	1.57	1.89	0.31	1.52	4.52	3.48	6.97	3.03	1.2
R432006366	5.12	1.57	1.89	0.31	1.52	4.52	3.48	6.97	3.03	1.2
R432002472	5.12	1.57	1.89	0.31	1.52	4.52	3.48	6.97	3.03	1.2
-	-	-	-	-	-	-	-	-	-	-

Valve plug connector, series CON-VP

- Socket, form A, 2+E, angled, 90°, Socket, form A, 3+E, angled, 90°

- EN 175301-803

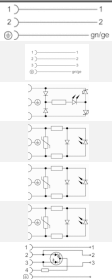
- unshielded

- with LED Yellow, Red, Green, green/red



Connection type	Screws
Ambient temperature min./max.	-40 ... 194 °F
Operational voltage	See table below
Protection class	IP65
Mounting screw tightening torque	0.3, 0.15 ft./lbs.
Weight	See table below

Technical data

Part No.		Electrical connection	Operational voltage
		1	
1834484048		Socket, form A, 2+E, angled, 90°	300 V, DC
1834484059		Socket, form A, 3+E, angled, 90°	300 V, DC
1834484101		Socket, form A, 2+E, angled, 90°	24 V, AC/DC
1834484102		Socket, form A, 2+E, angled, 90°	110 V, AC
1834484103		Socket, form A, 2+E, angled, 90°	230 V, AC
8941016112		Socket, form A, 2+E, angled, 90°	230 V, AC
8941012462		Socket, form A, 3+E, angled, 90°	24 V, DC

Part No.	Max. current	Protective circuit	Contact assignment	LED status display	suitable cable-Ø min./max
1834484048	10 A	-	2+E	-	0.24 / 0.31 inch
1834484059	10 A	-	3+E	-	0.24 / 0.31 inch
1834484101	-	Z-diode	2+E	Yellow	0.24 / 0.31 inch
1834484102	-	Varistor	2+E	Red	0.24 / 0.31 inch
1834484103	-	Varistor	2+E	Red	0.24 / 0.31 inch
8941016112	-	Varistor	2+E	Green	0.31 / 0.39 inch
8941012462	8 A	-	3+E	green/red	0.18 / 0.43 inch

Part No.	Tightening torque for mounting screws [+0,05]	Seal	Weight	
1834484048	0.3 ft./lbs.	caoutchouc/butadiene caoutchouc	0.066 lbs	1)
1834484059	0.3 ft./lbs.	caoutchouc/butadiene caoutchouc	0.066 lbs	1)
1834484101	0.15 ft./lbs.	Silicone caoutchouc	0.066 lbs	2)
1834484102	0.15 ft./lbs.	caoutchouc/butadiene caoutchouc	0.066 lbs	1)
1834484103	0.15 ft./lbs.	Silicone caoutchouc	0.066 lbs	1)
8941016112	0.15 ft./lbs.	caoutchouc/butadiene caoutchouc	0.055 lbs	1)
8941012462	0.3 ft./lbs.	caoutchouc/butadiene caoutchouc	0.066 lbs	-

- 1) Profile seal
- 2) Flat gasket

Technical information

The specified protection class is only valid in assembled and tested state.

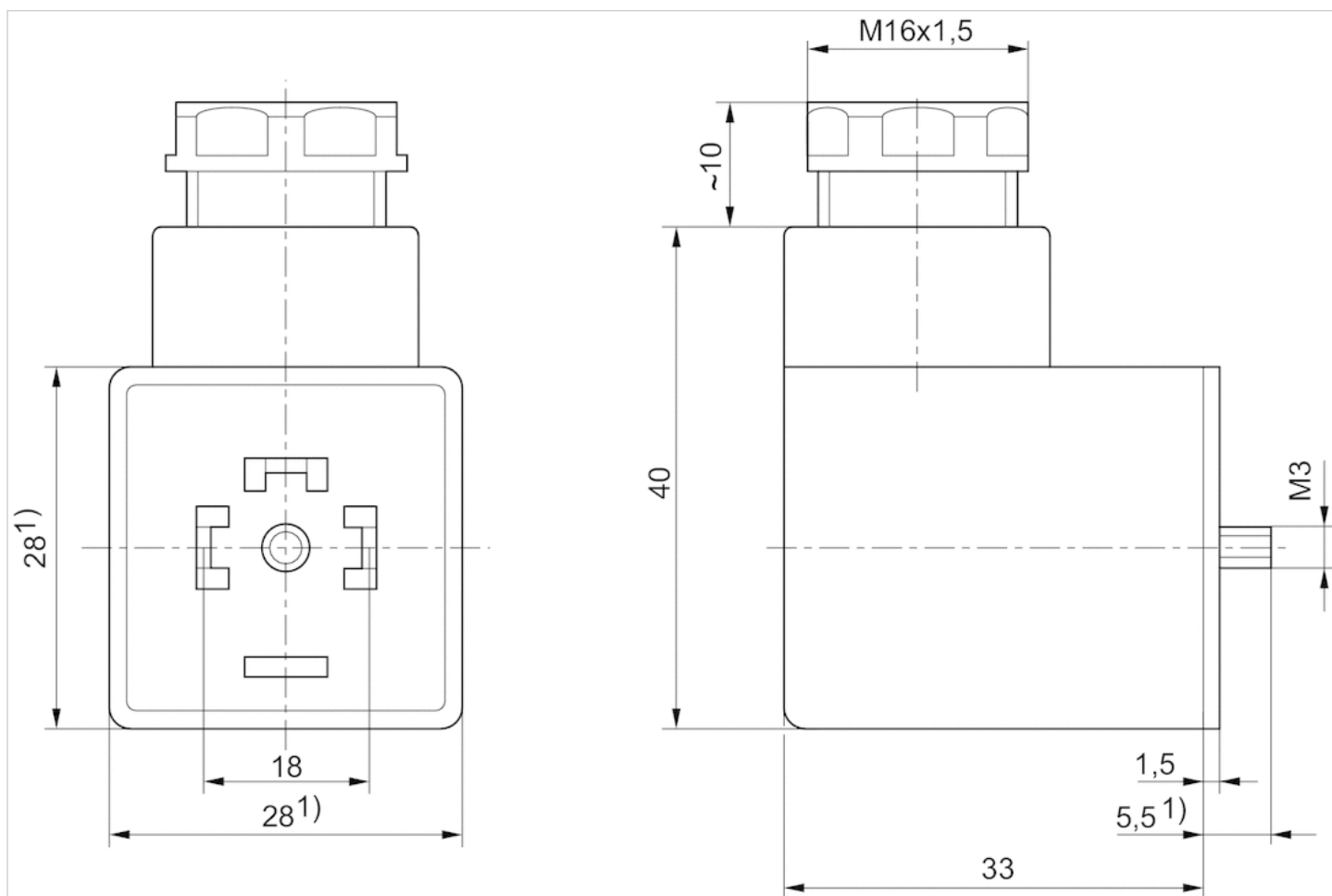
Technical information

Material

Seals	caoutchouc/butadiene caoutchouc, Silicone caoutchouc
-------	------------------------------------------------------

Dimensions

Dimensions



1) Max.

Valve plug connector, series CON-VP

- Socket, form A, 2+E, angled, 90°
- open cable ends, 3-pin
- with cable
- unshielded



Ambient temperature min./max.	-4 ... 176 °F
Operational voltage	See table below
Protection class	IP67
Wire cross-section	0.001 in²
Mounting screw tightening torque	0.3 ft./lbs.
Weight	See table below

Technical data

Part No.		Operational voltage	Protective circuit	Contact assignment	LED status display
1834484160		230 V, AC/DC	-	2+E	-
1834484162		24 V, AC/DC	Z-diode	2+E	Yellow
1834484163		24 V, AC/DC	Z-diode	2+E	Yellow
1834484164		230 V, AC/DC	Varistor	2+E	Red
1834484165		230 V, AC/DC	Varistor	2+E	Red

Part No.	Number of wires	Cable length	Weight	Fig.	
1834484160	3	9.84 ft.	0.441 lbs	Fig. 1	1)
1834484162	3	9.84 ft.	0.441 lbs	Fig. 2	-
1834484163	3	16.4 ft.	0.683 lbs	Fig. 2	-
1834484164	3	9.84 ft.	0.441 lbs	Fig. 2	-
1834484165	3	16.4 ft.	0.683 lbs	Fig. 2	-

1) Scope of delivery incl. flat gasket

Technical information

The specified protection class is only valid in assembled and tested state.

Technical information

Material	
Seals	caoutchouc/butadiene caoutchouc
Cable sheath	Polyvinyl chloride

Dimensions

Fig. 1

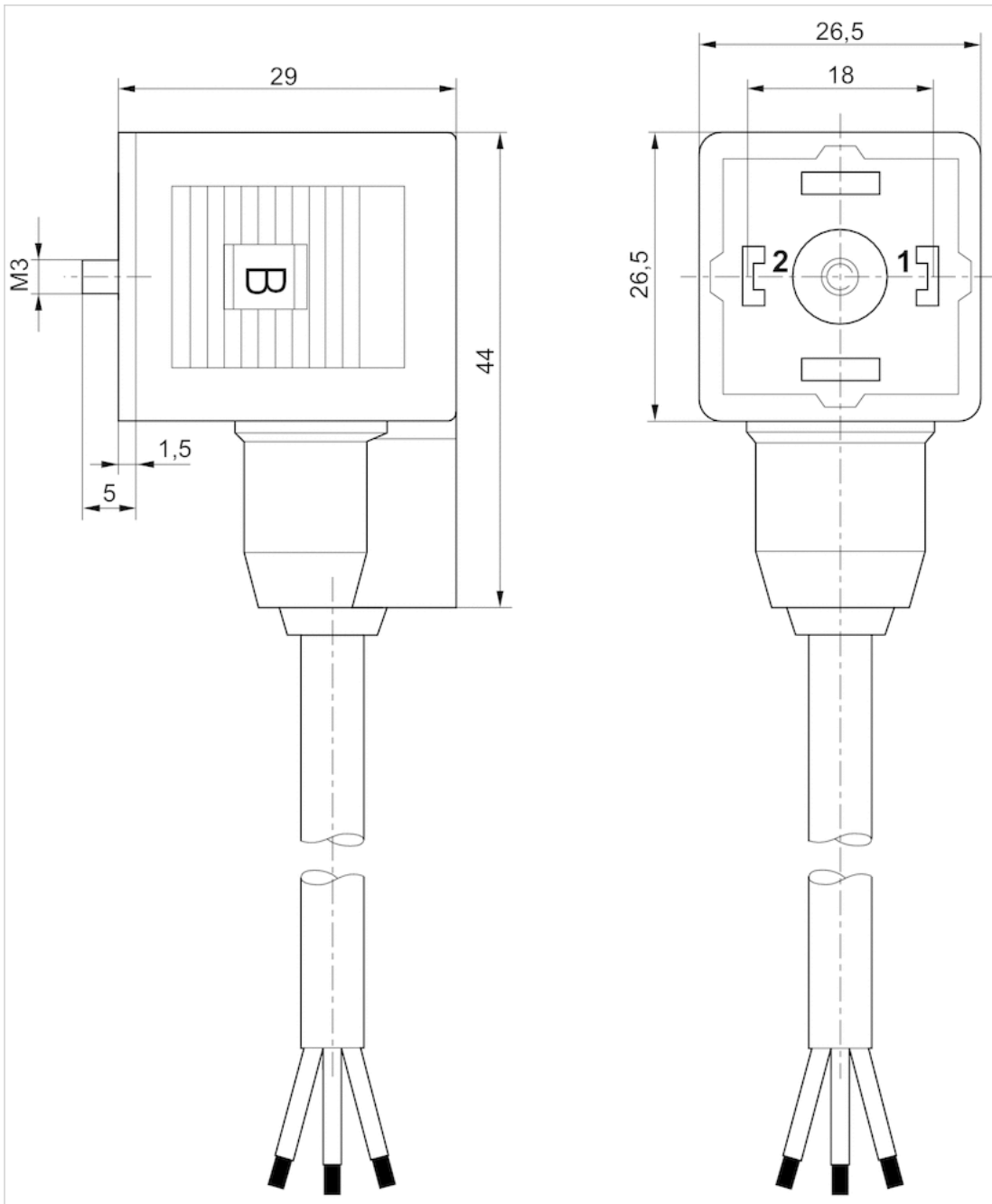
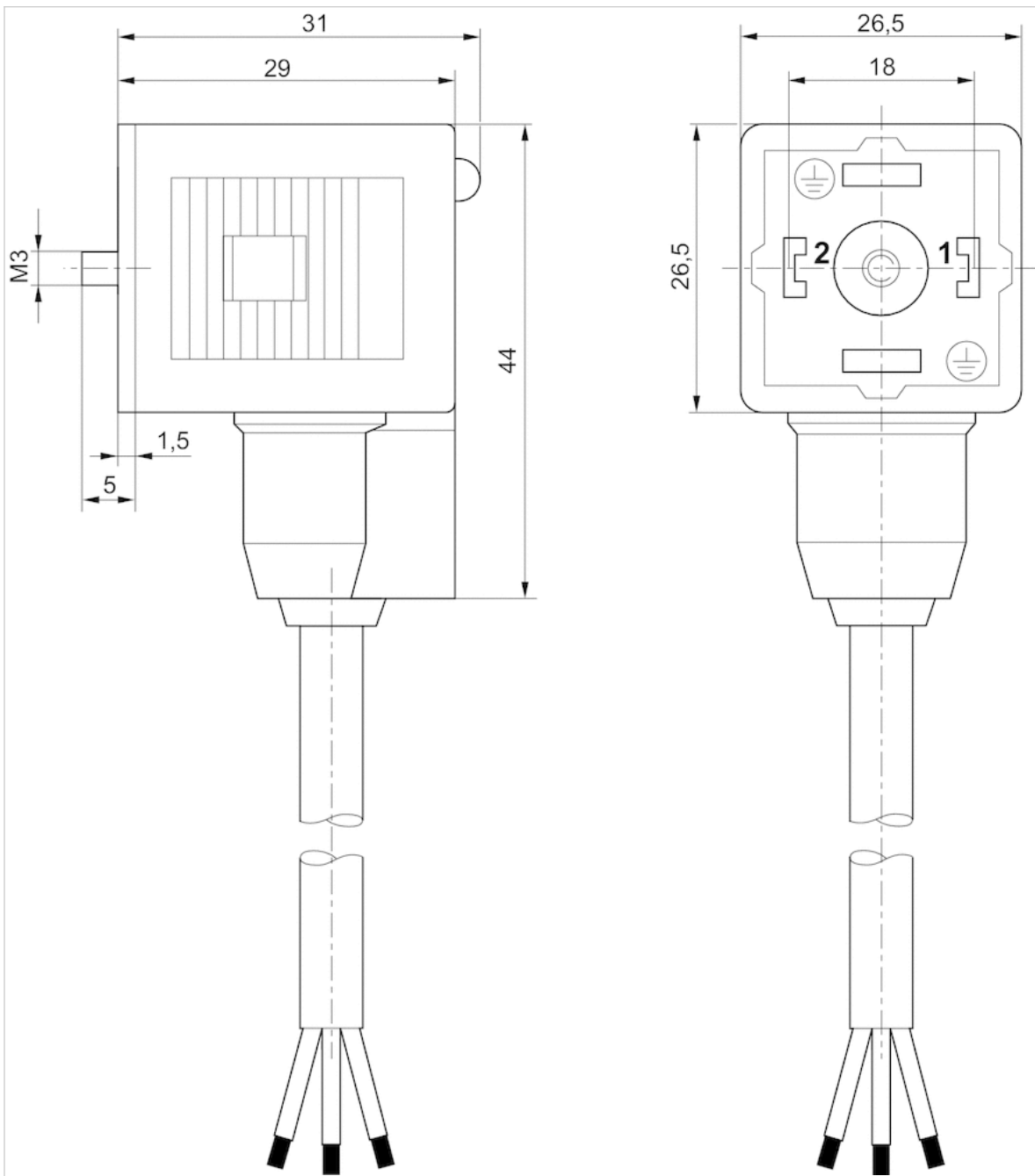


Fig. 2



End plate right, Inch version

- standard ISO 5599-1
- Frame size ISO 1, ISO 2, ISO 3
- type C



Standards	ISO 5599-1
Working pressure min./max.	-13 ... 232 psi
Ambient temperature min./max.	5 ... 158 °F
Medium temperature min./max.	5 ... 158 °F
Medium	Compressed air
Weight	0.331 lbs

Technical data

Part No.	Frame size	Compressed air connection Input [1]	Compressed air connection Exhaust [3 / 5]
R432037652	ISO 1	3/8 NPT	3/8 NPT
R432037654	ISO 2	3/4 NPT	3/4 NPT
R432037656	ISO 3	1 NPT	1 NPT

Scope of delivery incl. seal and mounting screws

Technical information

The min. control pressure must be adhered to, since otherwise faulty switching and valve failure may result!

The pressure dew point must be at least 27 °F under ambient and medium temperature and may not exceed 5.4 °F .

The oil content of compressed air must remain constant during the life cycle.

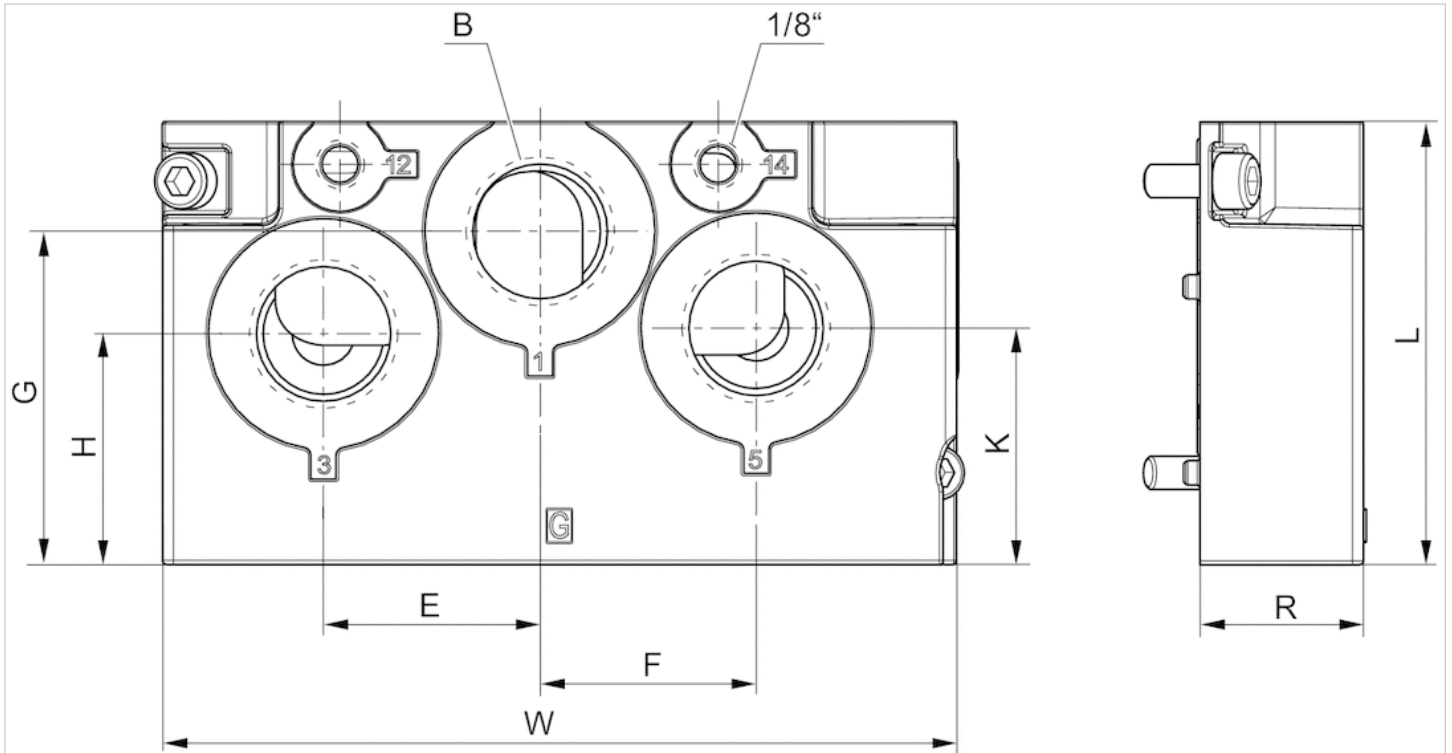
Use only the approved oils from AVENTICS. Further information can be found in the "Technical information" document (available in the MediaCentre).

Technical information

Material	
Surface	Painted
Base plate	Die-cast aluminum, black painted
Seal	Acrylonitrile butadiene rubber

Dimensions

Dimensions



Dimensions

Part No.	E	F	G	H	J	K	W	Frame size
R432037652	23	18	15.5	30	20	37.5	135	ISO 1
R432037654	39	39	60	41.5	38	42.5	143	ISO 2
R432037656	49	49	76	53	32	53	53	ISO 3

End plate left

- standard ISO 5599-1
- Frame size ISO 1, ISO 2, ISO 3
- type C



Standards	ISO 5599-1
Working pressure min./max.	-13 ... 232 psi
Ambient temperature min./max.	5 ... 158 °F
Medium temperature min./max.	5 ... 158 °F
Medium	Compressed air
Weight	0.331 lbs

Technical data

Part No.	Frame size	Compressed air connection Input [1]	Compressed air connection Exhaust [3 / 5]
R432037646	ISO 1	3/8 NPT	3/8 NPT
R432037648	ISO 2	3/4 NPT	3/4 NPT
R432037650	ISO 3	1 NPT	1 NPT

Scope of delivery incl. seal and mounting screws

Technical information

The min. control pressure must be adhered to, since otherwise faulty switching and valve failure may result!

The pressure dew point must be at least 27 °F under ambient and medium temperature and may not exceed 5.4 °F .

The oil content of compressed air must remain constant during the life cycle.

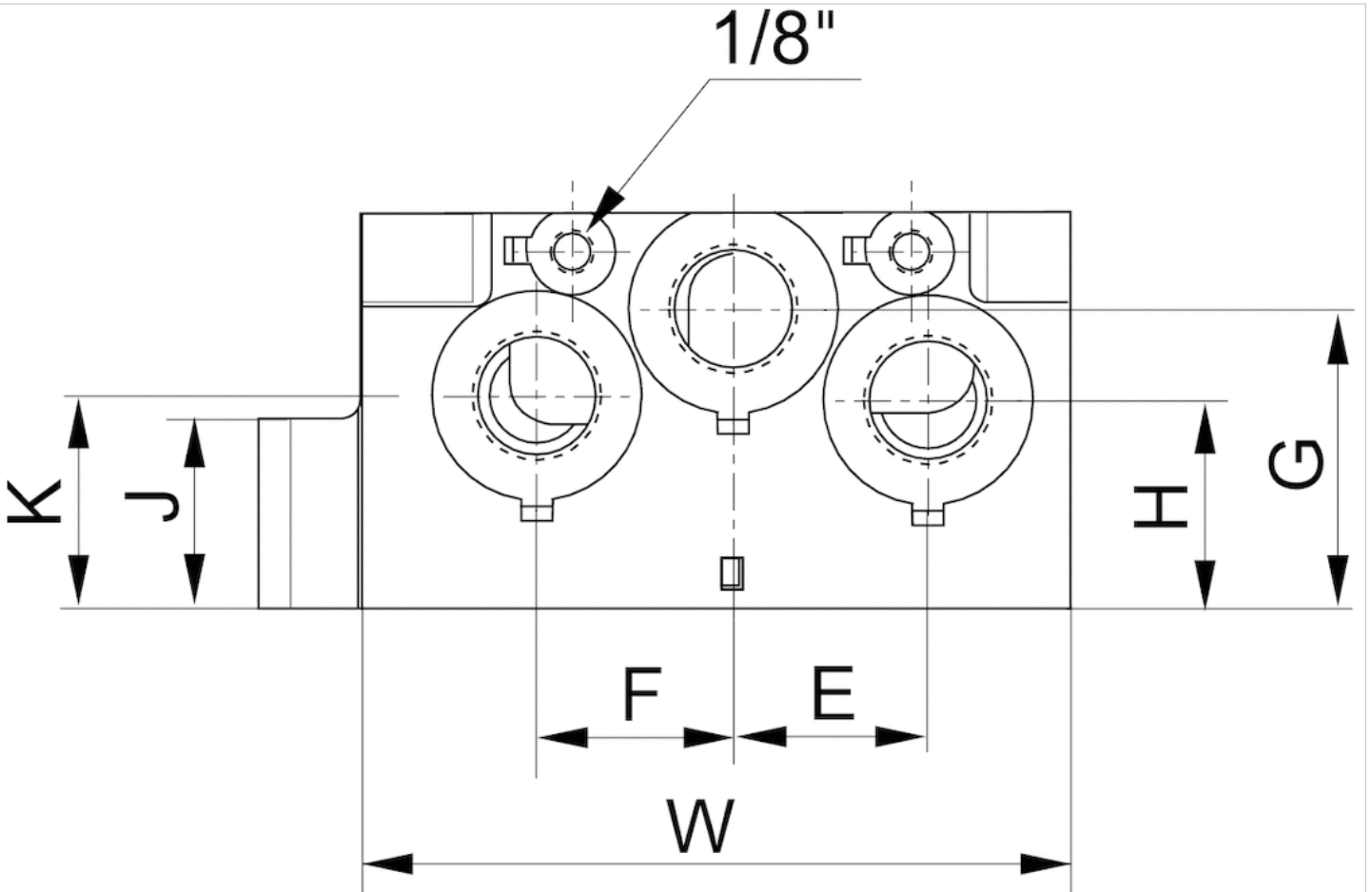
Use only the approved oils from AVENTICS. Further information can be found in the "Technical information" document (available in the MediaCentre).

Technical information

Material	
Base plate	Die-cast aluminum
Seal	Acrylonitrile butadiene rubber

Dimensions

Dimensions



Dimensions

Part No.	E	F	G	H	J	K	W
R432037646	23	18	15.5	30	20	37.5	135
R432037648	39	39	60	41.5	38	42.5	143
R432037650	49	49	76	53	32	53	164

ISO 5599-1, Base and end plates, Inch version

- standard ISO 5599-1
- Frame size ISO 1, ISO 2, ISO 3
- type C
- Compressed air connection output 3/8 NPT, 1/2 NPT, 3/4 NPT
- Can be assembled into blocks



Standards	ISO 5599-1
Working pressure min./max.	-13 ... 232 psi
Ambient temperature min./max.	5 ... 158 °F
Medium temperature min./max.	5 ... 158 °F
Medium	Compressed air
Direction of pneumatic port (1)	Both directions possible
Direction of pneumatic port (3,5)	Both directions possible
Exhaust type	Ports separated
Weight	0.805 lbs

Technical data

Part No.	Frame size	Compressed air connection Output [2 / 4]
R432037640	ISO 1	3/8 NPT
R432037642	ISO 2	1/2 NPT
R432037644	ISO 3	3/4 NPT

Scope of delivery incl. seal and mounting screws

Technical information

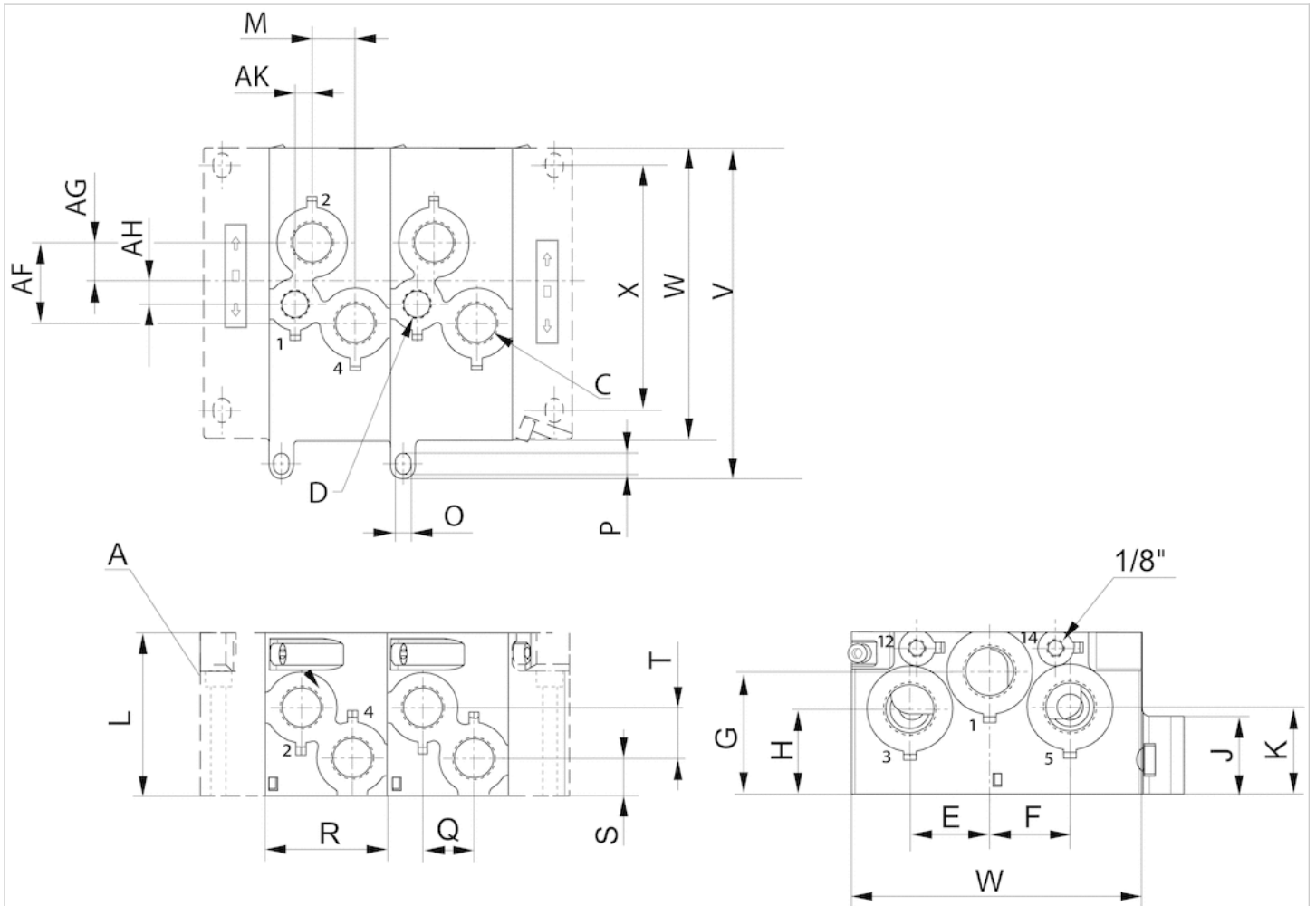
The min. control pressure must be adhered to, since otherwise faulty switching and valve failure may result!
 The pressure dew point must be at least 27 °F under ambient and medium temperature and may not exceed 5.4 °F .
 The oil content of compressed air must remain constant during the life cycle.
 Use only the approved oils from AVENTICS. Further information can be found in the "Technical information" document (available in the MediaCentre).

Technical information

Material	
Surface	Painted
Base plate	Die-cast aluminum, black painted
Seal	Acrylonitrile butadiene rubber

Dimensions

Dimensions



A = left and right end plates in two versions

Dimensions

Part No.	A	D	C	F	G	H	K	L	M	O	P	R	Q	S	T
R432037640	1/4 NPT	-	3/8 NPT	23.8	11.8	-	-	60.6	12	5.5	8.5	45	18	13.3	14.7
R432037642	1/2 NPT	3/8 NPT	1/2 NPT	39.5	19	11	8.2	79.7	21	5.5	9.3	59.5	25	18	24.8
R432037644	3/4 NPT	1/2 NPT	3/4 NPT	46.3	25.1	11.2	15.8	100	22.5	6.3	9.3	80	38	24.5	20.5

Pressure plate for additional pressure supply

- standard ISO 5599-1
- Frame size ISO 1
- for 581, CERAM™



Standards
Medium

ISO 5599-1
Compressed air

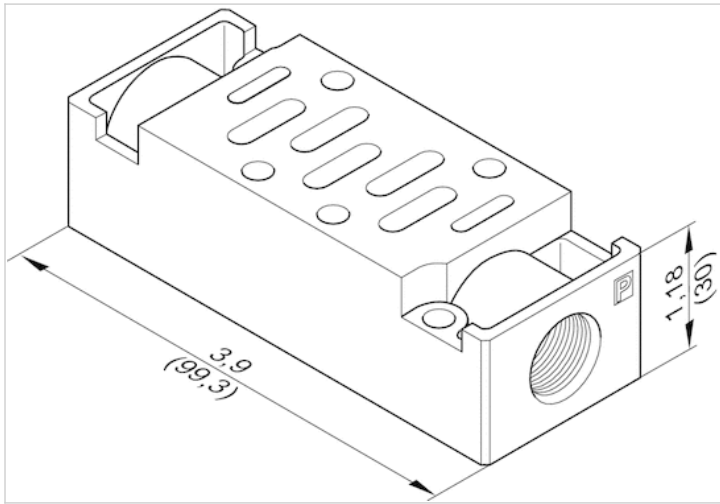
Technical data

Part No.	Compressed air connection Input [1]
R432015767	3/8"

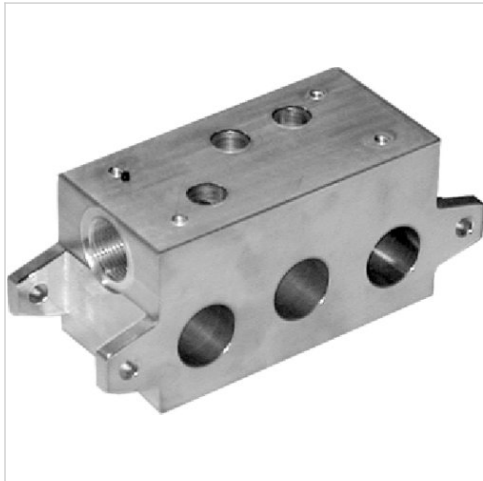
Technical information

The min. control pressure must be adhered to, since otherwise faulty switching and valve failure may result!
 The pressure dew point must be at least 27 °F under ambient and medium temperature and may not exceed 5.4 °F .
 The oil content of compressed air must remain constant during the life cycle.
 Use only the approved oils from AVENTICS. Further information can be found in the "Technical information" document (available in the MediaCentre).

Dimensions



stacking assembly subplate, ISO size 3



Medium
Weight

Compressed air
3.59 lbs

Technical data

Part No.	Type
R432015347	ISO 5599-1, size 3

Technical information

The min. control pressure must be adhered to, since otherwise faulty switching and valve failure may result!
 The pressure dew point must be at least 27 °F under ambient and medium temperature and may not exceed 5.4 °F .
 The oil content of compressed air must remain constant during the life cycle.
 Use only the approved oils from AVENTICS. Further information can be found in the "Technical information" document (available in the MediaCentre).

Technical information

Material	
Housing	Aluminum
Base plate	Aluminum

Dimensions

Dimensions

