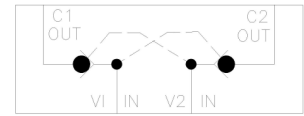
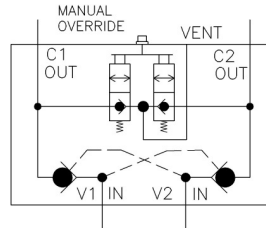
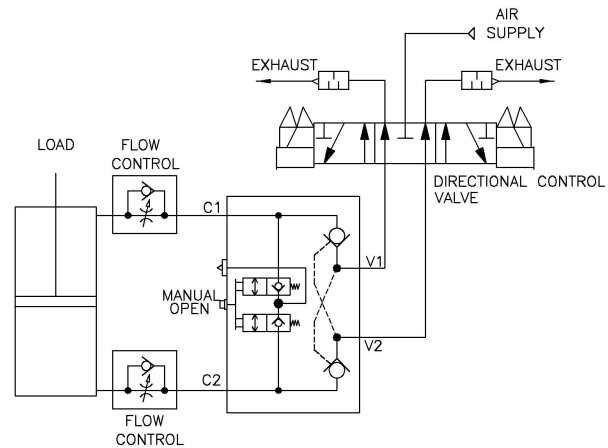


## DUAL-CHECK® VALVES

An Aladco® Dual Check® valve is an assembly of two parallel check valves that can be overridden by air piloting (internally plumbed). The Dual-Check® is for pneumatic applications and can be used in either sanitary or harsh/dirty environments.

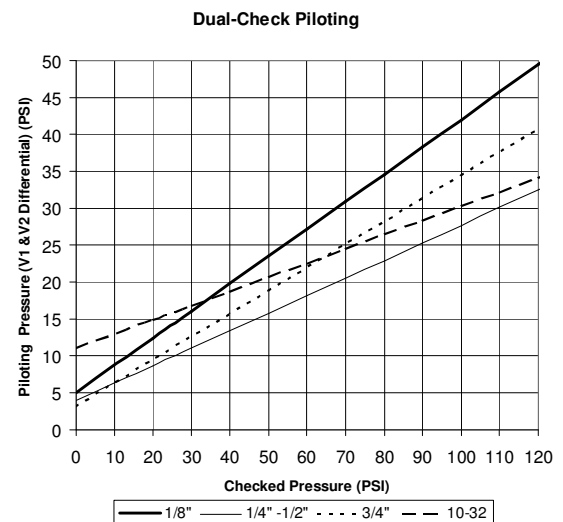


A typical use of a Dual-Check® valve involves combining it with a direction control valve to control air flow from both ports of a double acting cylinder. With an appropriate combination of direction control valves and other pneumatic components, a cylinder position control system using a Dual-Check® can handle both normal position control and standby or safety stop conditions. A combined valve system can have excellent failsafe and assured control properties.



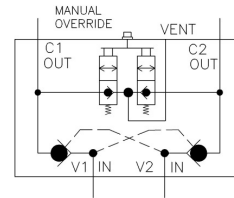
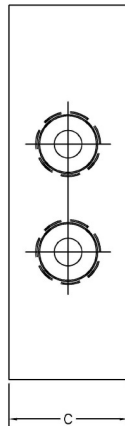
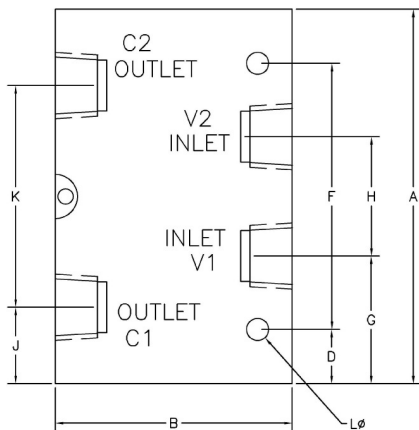
## Dual Check® Features

- The rugged valve body is anodized 6061 aluminum. Internal aluminum components are 6061 aluminum.
- Springs are high fatigue resistant nickel coated 302 Stainless Steel. (MTTF is over 100 million cycles).
- Standard seals are BunaN (-30 to 150F temperature range). Viton seals (-15 to 400F temperature range) are an available option.
- Superior, self cleaning ball seal provides long product life. (MTTF is over 100 million cycles).
- Typical operating pressure range is 15-140 PSI.
- The valves are tamper resistant and do not require maintenance. The valves do not require lubricated air, but can be used with lubricated air.



**DIMENSION AND SPECIFICATION DATA** (A - L dimensions are in inches)

| Port Size | A    | B    | C    | D    | E    | F    | G    | H    | J    | K    | L    | Weight  | Cv  |
|-----------|------|------|------|------|------|------|------|------|------|------|------|---------|-----|
| 10-32     | 2.5  | 1.00 | 0.75 | 0.25 | 0.12 | 2.00 | 0.85 | 1.70 | 0.38 | 2.10 | 0.18 | 0.25 lb | 0.2 |
| 1/8"      | 3.38 | 1.75 | 1.00 | 0.69 | 0.25 | 2.00 | 1.17 | 1.03 | 0.68 | 2.02 | 0.20 | 0.75 lb | 0.8 |
| 1/4"      | 4.75 | 2.50 | 1.50 | 0.69 | 0.31 | 3.38 | 1.62 | 1.51 | 0.97 | 2.81 | 0.28 | 1.5 lb  | 1.7 |
| 3/8"      | 4.75 | 3.00 | 1.50 | 0.69 | 0.44 | 3.38 | 1.62 | 1.51 | 0.97 | 2.81 | 0.28 | 2.0 lb  | 1.7 |
| 1/2"      | 4.75 | 3.00 | 1.50 | 0.69 | 0.44 | 3.38 | 1.62 | 1.51 | 0.97 | 2.81 | 0.28 | 2.0 lb  | 1.7 |
| 3/4"      | 5.10 | 3.00 | 1.50 | 0.60 | 0.32 | 4.0  | 1.71 | 1.78 | 0.73 | 3.73 | 0.28 | 2.0 lb  | 3.2 |

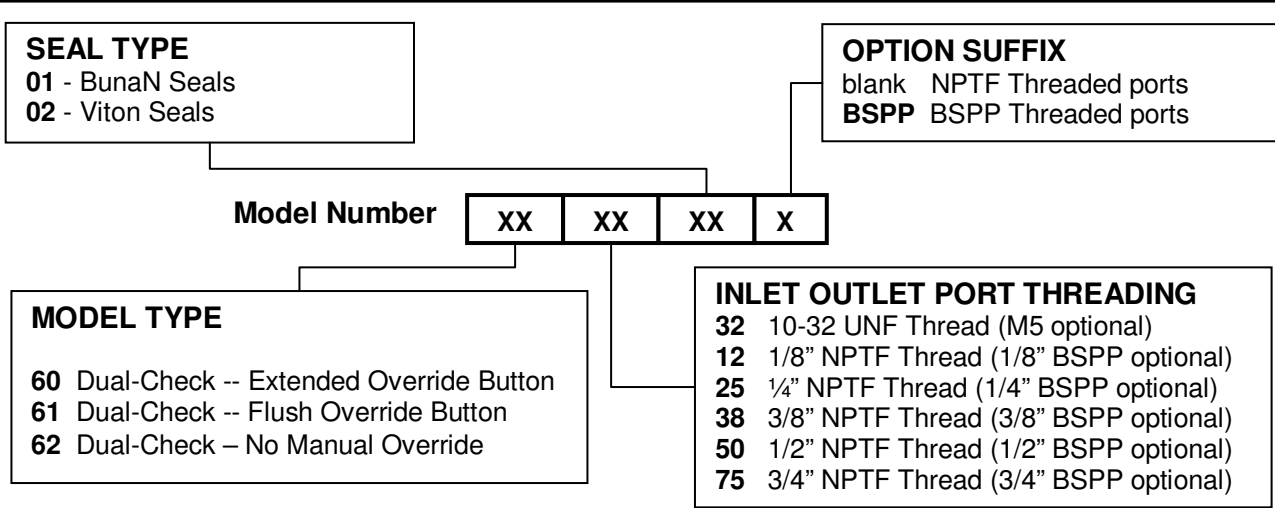


**Model Types 60 & 61 Schematic**



**Model Type 62 Schematic**

**MODEL ORDERING INFORMATION** Valve model numbers are made up of 3 two character fields (6 total characters) with an optional suffix.



**Model examples:**

Model **603801** is a Dual-Check valve with 3/8" NPTF threaded Inlet/Outlet ports, BunaN seals and an extended override button.

Model **603801BSPP** is a Dual-Check valve with 3/8" BSPP Inlet/Outlet ports, BunaN seals and an extended override button.

