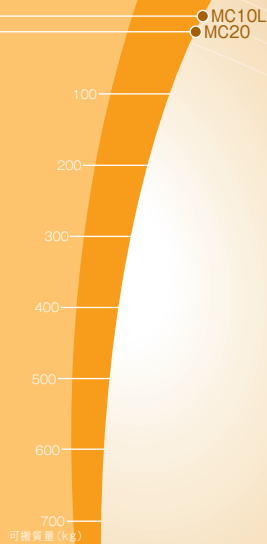


“Powerful & Compact” Robot for various manufacturing processes.

MC20/MC10L



Suitable for various purpose.

- Wide envelope and environment protection makes MC20 valuable robot for various kind of manufacturing processes.

Compact design

- Easy installation by compact design, and powerful wrist supports to transfer large or heavy works.

MC20/MC10L

Robot specifications

Item		Specifications	
Robot model		MC20-01	MC10L-01
Construction		Articulated construction	
Number of axes		6	
Drive system		AC servo system	
Max. operating area	J1	$\pm 3.14\text{rad}$ ($\pm 180^\circ$)	
	J2	$+1.05 \sim -2.53\text{rad}$ ($+60 \sim -145^\circ$)	
	J3	$+4.22 \sim -2.84\text{rad}$ ($+242 \sim -163^\circ$)	
	J4	$\pm 3.14\text{rad}$ ($\pm 180^\circ$)	
	J5	$\pm 2.42\text{rad}$ ($\pm 139^\circ$)	
	J6	$\pm 6.28\text{rad}$ ($\pm 360^\circ$)	
Max. speed	J1	2.96rad/s (170°/s)	2.62rad/s (150°/s)
	J2	2.96rad/s (170°/s)	
	J3	2.96rad/s (170°/s)	
	J4	6.28rad/s (360°/s)	
	J5	6.28rad/s (360°/s)	
	J6	10.5rad/s (600°/s)	
Payload ^{*1}		20 kg (22kg) 20kg(Max. 22kg)	10kg
Wrist torque	J4	49N·m	24.5N·m
	J5	49N·m	24.5N·m
	J6	23.5N·m	12N·m
Wrist moment of inertia ^{*2}	J4	1.6kg·m ²	
	J5	1.6kg·m ²	
	J6	0.8kg·m ²	0.7kg·m ²
Position repeat accuracy ^{*3}		$\pm 0.06\text{mm}$	
Maximum working air pressure		0.49MPa (5.0kgf/cm ²) 0.49MPa (5.0kgf/cm ²) or less	
Ambient temperature		0~45°C	
Installation		Floor mounted·Ceiling mounted	
Environmental resistance ^{*4}		IP65 Meets the IP65 standard (for dust and waterproofing)	
Robot mass		220kg	225kg

1 [rad] = $180/\pi$ [°], 1 [N·m] = 1/9.8[kgf·m]

*1 :This value varies from the installed position and the wrist load mass.

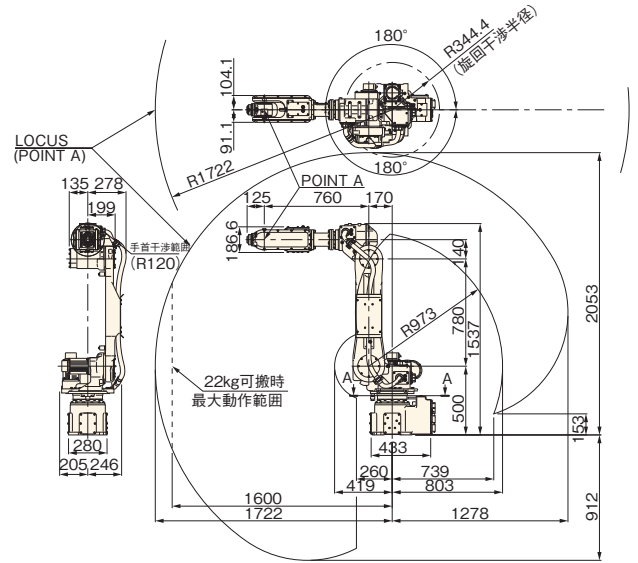
*2 :Note that wrist moment of inertia varies depending on wrist load conditions.

*3 :JIS B 8432 compliant.

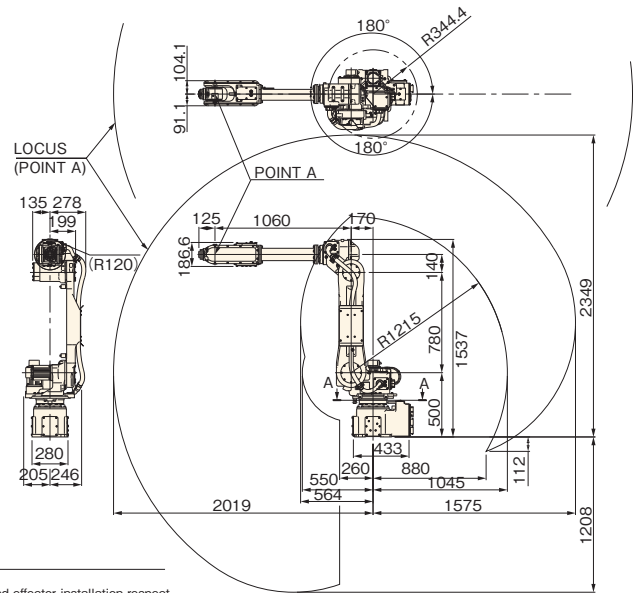
*4 :Fluids that corrode the seal material, such as organic solvents, acids, alkalis, salts, and petroleum-based cutting fluids, cannot be used.

Exterior dimensions and operating envelope

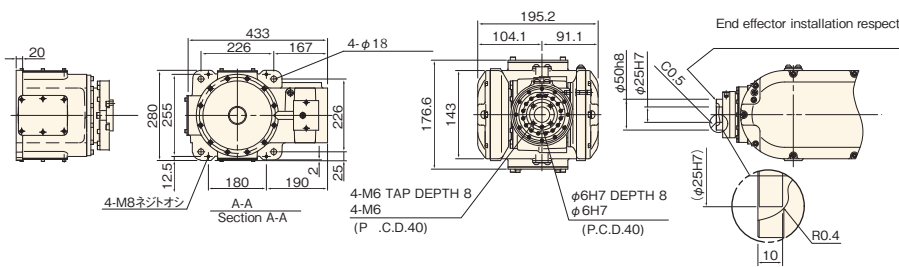
MC20-01



MC10L-01



Common Specification



*The specifications are subject to changes without notice.

*In case that an end user uses this product for military purpose or production of weapon, this product may be liable for the subject of export restriction stipulated in the Foreign Exchange and Foreign Trade Control Law. Please go through careful investigation and necessary formalities for export.

NACHI

株式会社 不二越

URL : <http://www.nachi-fujikoshi.co.jp>

(Tokyo Head Office) Shiodome Sumitomo Bldg.17F 1-9-2 Higashi-shinbashi, Minato-ku, Tokyo105-0021, Japan

Tel: +81-(0)3-5568-5111 Fax: +81-(0)3-5568-5206

(Toyama Head Office) 1-1-1 Fujikoshi-Honmachi, Toyama 930-8511, Japan

Tel: +81-(0)76-423-5111 Fax: +81-(0)76-493-5211

(Overseas Div.) Tel: +81-(0)3-5568-5245

CATALOG NO.

7305-3

2013.06.X-ABE-ABE